

本说明书中的技术参数如有更改,恕不另行通知!  
The technical specifications in this instruction are subject to change without notice!



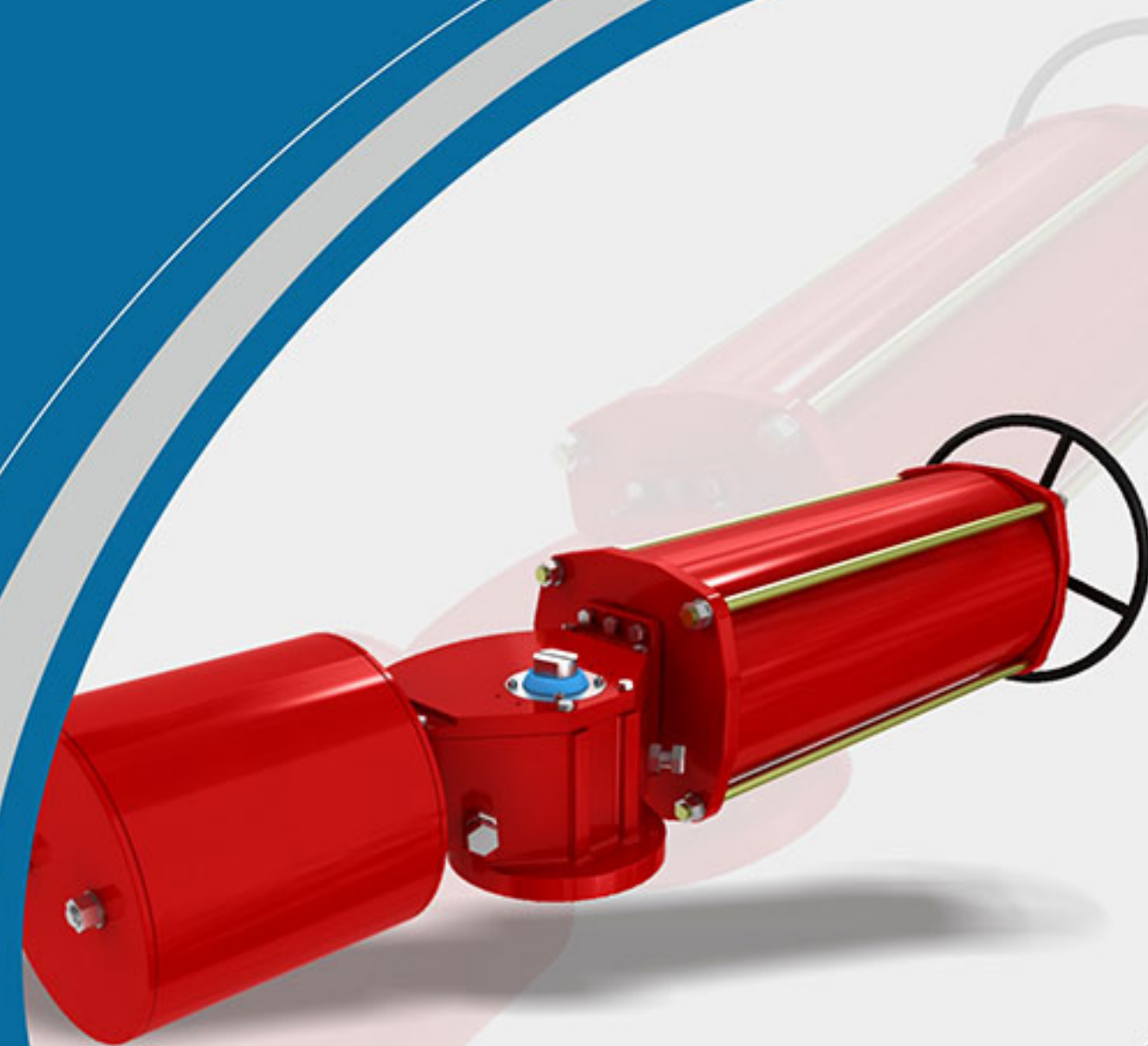
浙江久鼎自控设备有限公司  
ZHEJIANG JIUDING AUTOMATIC CONTROL EQUIPMENT CO., LTD.

JD SERIES PNEUMATIC  
PISTON ACTUATOR  
JD 系列气动活塞式执行机构

浙江久鼎自控设备有限公司  
ZHEJIANG JIUDING AUTOMATIC CONTROL EQUIPMENT CO., LTD.

联系地址: 浙江省温州市永嘉县瓯北街道和一村  
联系电话: 0577-67327800 67327277 67327801  
传真号码: 0577-67327802  
企业网址: [www.jdacv.com](http://www.jdacv.com)  
电子邮箱: [jdzksb@163.com](mailto:jdzksb@163.com)

Contact address: Heyi Village, Oubei Sub-District,  
Yongjia County, Wenzhou, Zhejiang  
Contact number: 0577-67327800 67327277 67327801  
Fax number: 0577-67327802  
<http://www.jdacv.com>  
E-mail: [jdzksb@163.com](mailto:jdzksb@163.com)



## 关于久鼎

浙江久鼎自控设备有限公司专业生产制造气动执行器、电动执行器、液动执行器、电动阀、气动阀门（气动蝶阀、气动球阀）、液动阀、调节阀、以及各类工业阀门等各种规格各种系列的自控阀门。

浙江久鼎自控设备有限公司位于“中国泵阀之乡”——浙江省温州市永嘉县瓯北街道一村(温州华鑫贸易有限公司内)，公司将时刻保持以崭新的面貌、全新的理念，不断改革与创新，设计制造出更新更多更好的产品回馈广大用户。面对新的市场竞争态势和全球经济一体化的格局，久鼎自控将秉承“素质决定实力”的发展理念，坚持“诚信为本，信守一言九鼎的承诺，勇于创新，锐意进取，稳健发展”的经营方针，大力推进技术创新，资本运营，国际化拓展三大战略，全面推动久鼎自控由传统企业向高新技术产业转型，尊重知识人才，构筑一种奋发向上，团结拼搏的“久鼎”人文精神，全力打造“实力型企业”争创久鼎自控全新辉煌。

浙江久鼎自控设备有限公司主要生产制造气动阀门、气动蝶阀、气动球阀、以及各类工业阀门等各种规格各种系列的自控阀门。力争在石油、化工、冶金、电力、建筑、热力、给排水、水处理等行业具有较高的知名度及影响力，不断以科技创新，努力开发以国代进，主要按中国GB、JB、美标API、ANSI、英国BS、德标DIN、法国NF、日本JIS、JPI标准生产。并可根据用户特殊要求冶炼和制造。产品广泛用于化工、水处理设备，化肥、冶金、制药、电力、石化引进装置中的阀门配套，产品畅销全国各地，并筹备远销中东、东南亚、欧美等各个发达国家和地区。欢迎来电咨询、订购。

千里之行，始于足下，美誉之声，源于服务。久鼎自控的产品已遍布大江南北，不断演绎与众不同的“久鼎自控”佳作。实施精品战略，创品牌效益，以求实的精神，优质的产品，更完善的售后服务，让所有使用“久鼎”品牌的用户紧密相连，携手共创美好未来。



[www.jdacv.com](http://www.jdacv.com)

## About JiuDing

Jiuding Automation Equipment Co., Ltd. specializing in the production of pneumatic actuator, electric actuator, hydraulic actuator, electric valve, pneumatic valve manufacturing (gas pneumatic butterfly valve, pneumatic ball valve), hydraulic valve, regulating valve, automatic control valve and all kinds of industrial valves and other various specifications of the various series.

Jiuding Automation Equipment Co., Ltd. is located in "China valve village" - Oubei Town Code No. 62 North Road (next to the building, pump technology) company will keep with a new look, new ideas, continuous reform and innovation, design and produce more and better products to update the users feedback. Facing the new market competition and the pattern of global economic integration, Jiuding automation will be adhering to the "development concept of quality decision power", adhere to the "integrity-based, authoritative, abide by the commitment, innovation, forge ahead, steady development" policy, vigorously promote technological innovation, capital operation, internationalization development strategy three promote the transformation from the traditional enterprise Jiuding automation to high-tech industry, respect knowledge talent, build an uplifting, unity and hard work of the "Jiuding" humanistic spirit, to create "strength of enterprises" striving for the new brilliant Jiuding automatic control.

Jiuding Automatic Control Equipment Co., Ltd. mainly produces pneumatic valves, pneumatic butterfly valves, pneumatic ball valves, and various industrial valves and other specifications of a variety of series of automatic control valves. Strive in the petroleum and chemical industry, metallurgy, electric power, building, heating, water supply and drainage, water treatment and other industries with high visibility and influence, continuous innovation in science and technology, and strive to develop the country generation, mainly by Chinese GB, JB, API, ANSI American Standard, British BS, German standard DIN, France, NF Japan JIS, JPI standard production. And, according to the special requirements of users smelting and manufacturing. The products are widely used in chemical industry, water treatment equipment, fertilizer, metallurgy, power, pharmaceutical, petrochemical introduction of the valve device ancillary products sold throughout the country and exported to the Middle East, Southeast Asia, Europe and the United States for all developed countries and regions. Welcome to inquire, order.

 久鼎自控  
JIUDING AUTOMATIC CONTROL



The longest journey begins with the first step, the reputation of sound source in service. Jiu Ding automatic control products have been all over the north and south, continue to deduce a unique "Jiu Ding Automatic Control" masterpiece. The implementation of boutique strategy, create brand benefits, with the spirit of truth-seeking, quality products, more perfect after-sales service, so that all users using "JIU DING" brand closely linked to join hands in creating a better future.

千里之行，始于足下，  
美誉之声，源于服务。

The Longest Journey Begins  
With The First Step,  
The Reputation Of Sound  
Source In Service

# JD 系列

## 气动活塞式执行机构

### JD SERIES PNEUMATIC PISTON ACTUATOR



### JD 系列气动活塞式执行机构概述

JD Series Pneumatic Piston Actuator Overview

JD系列活塞式气动执行机构系久鼎自控最先进的气动执行机构，此系列执行机构采用双向设计，活塞运行平稳可靠。具有输出力矩大、安装维护方便等特点。通过活塞密封环密封，使气源压力作用于活塞上产生移动，带动推杆左右运行，由推杆通过拨叉节的转换成角行程运动。配置弹簧复位装置，既可满足在失去气源的情况，通过弹簧压缩回复产生运动达到复位的功能。

JD Series piston pneumatic actuator is the most advanced JUDING control pneumatic actuator, this actuator series dual oriented design, the operation is stable and reliable. It has the characteristics of large output torque and convenient installation and maintenance. Sealing ring seal through the piston, the pressure force acting on the piston driven by the movement of push around run by a push rod by converting the fork section of the angular movement. Equipped with spring reset device, it can not only meet the situation of losing the gas source, but also restore the movement by spring compression to achieve reset function.

### 技术参数 Technical Parameter

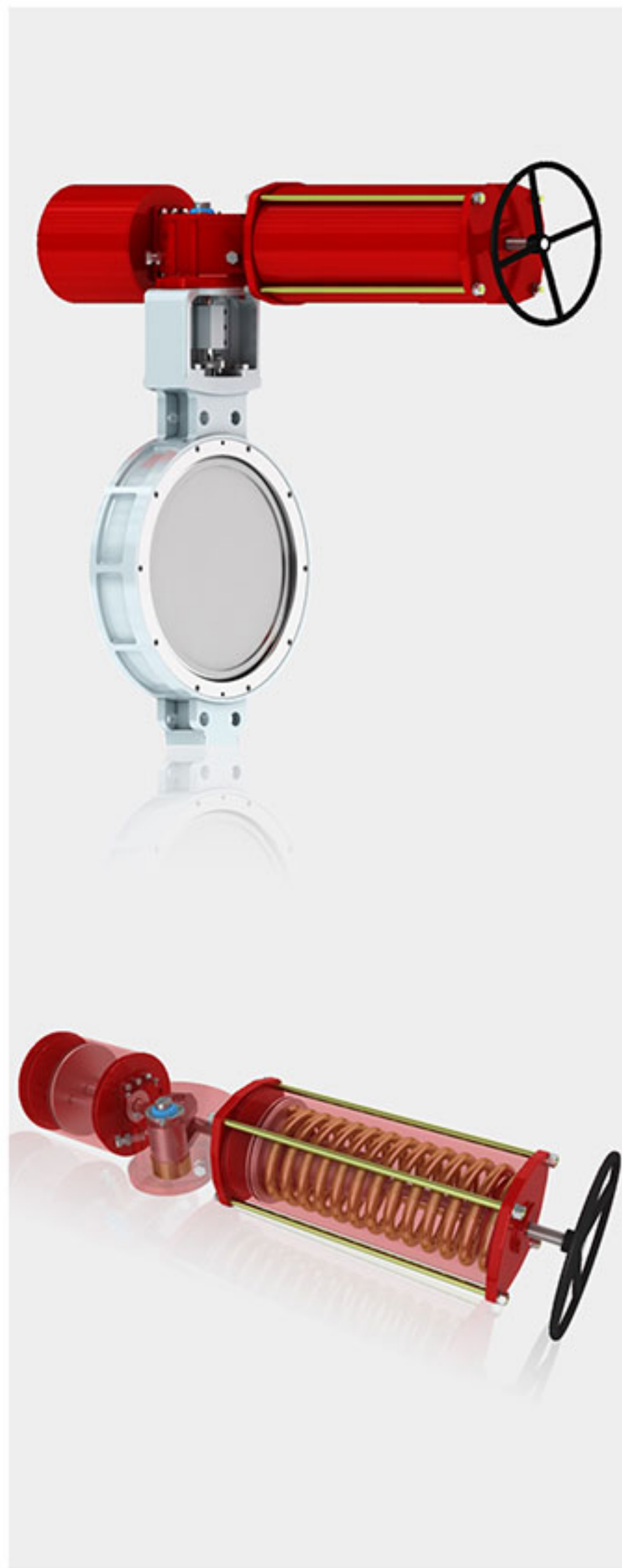
- 1、输出扭矩：500N.m-40000N.m
- 2、输出角度范围：0°-100°
- 3、动作形式：双作用/单作用
1. Output torque: 500N.m-40000N.m
2. Output angle range: 0°-100°
3. Action form: Double acting, Single action

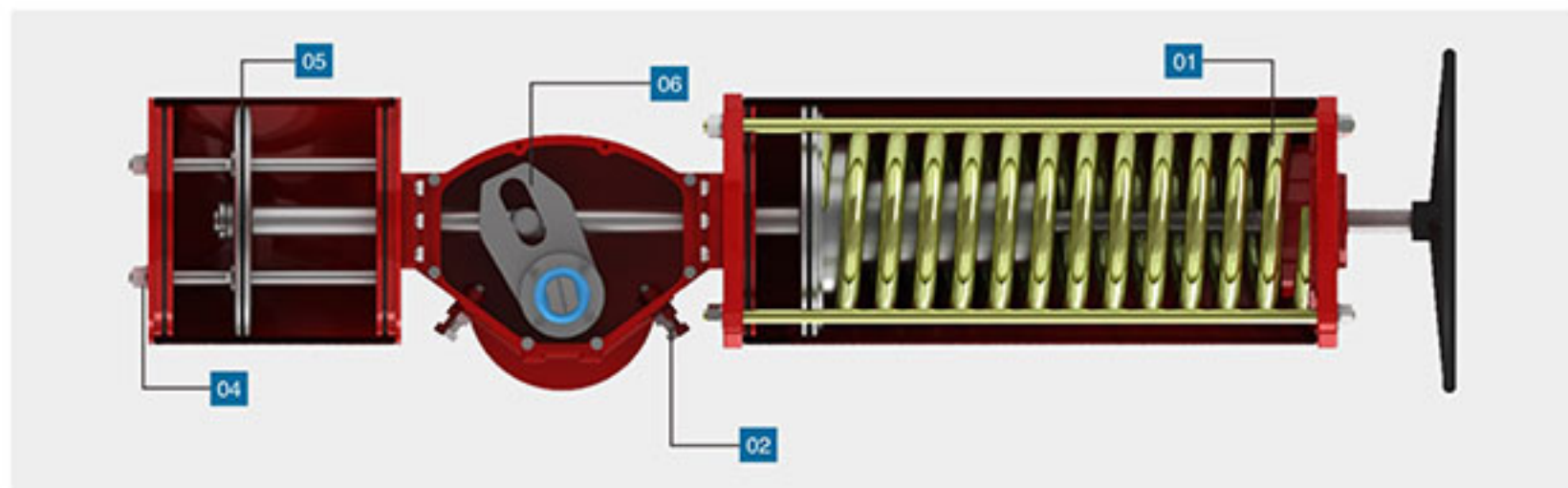
JDA16-JDC45 双作用角行程气动活塞式执行机构  
JDA16S-JDC45S 双作用角行程气动活塞式执行机构  
JDA16-JDC45 Double acting angle stroke pneumatic piston actuator  
JDA16S-JDC45S Double acting angle stroke pneumatic piston actuator

### 配置不同旋转类控制阀

Configure Different Rotating Control Valves

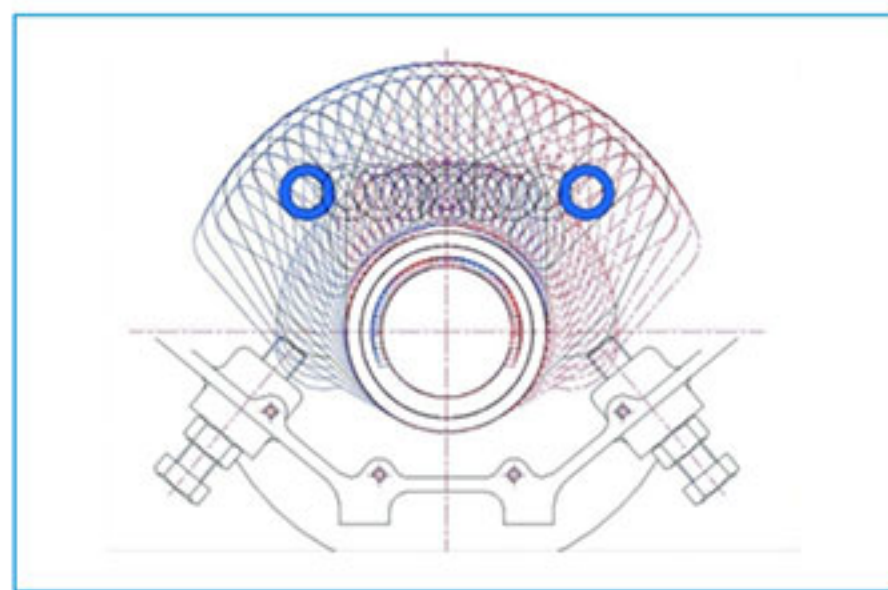
- |         |                           |
|---------|---------------------------|
| 1、蝶阀    | 1. Butterfly valve        |
| 2、球阀    | 2. Globe valve            |
| 3、偏心旋转阀 | 3. Eccentric rotary valve |



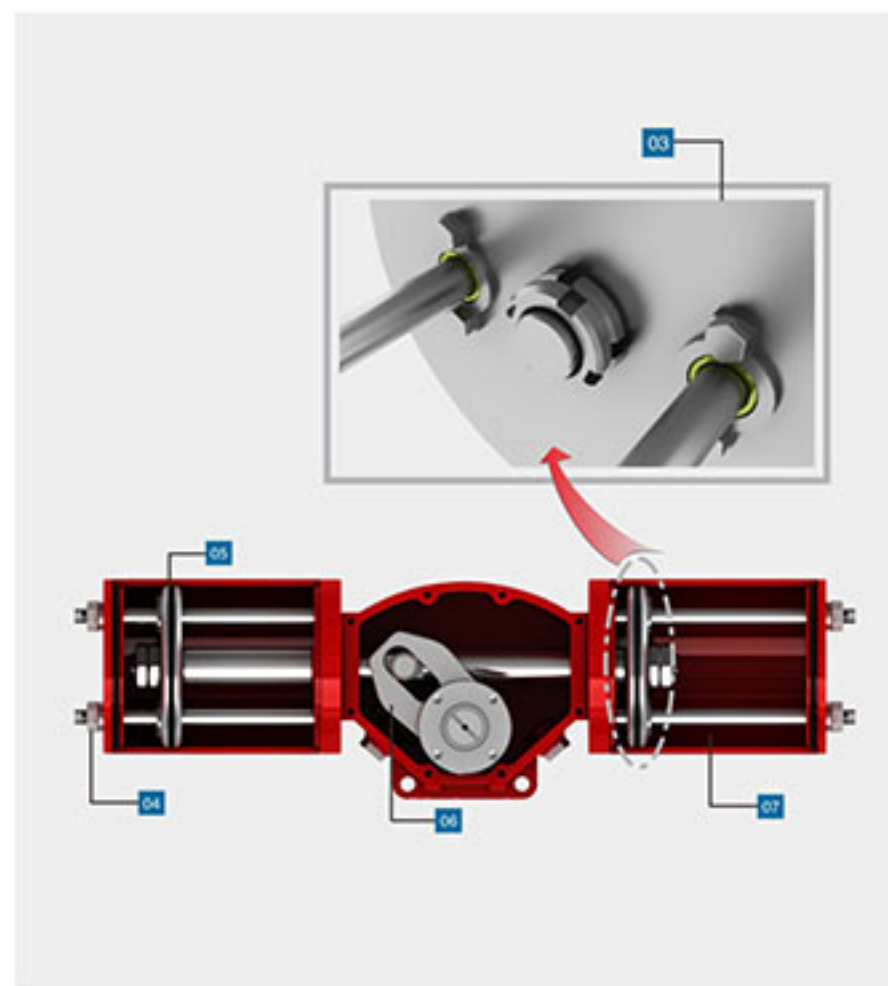


结构特点及性能  
Structural Characteristics And Performance

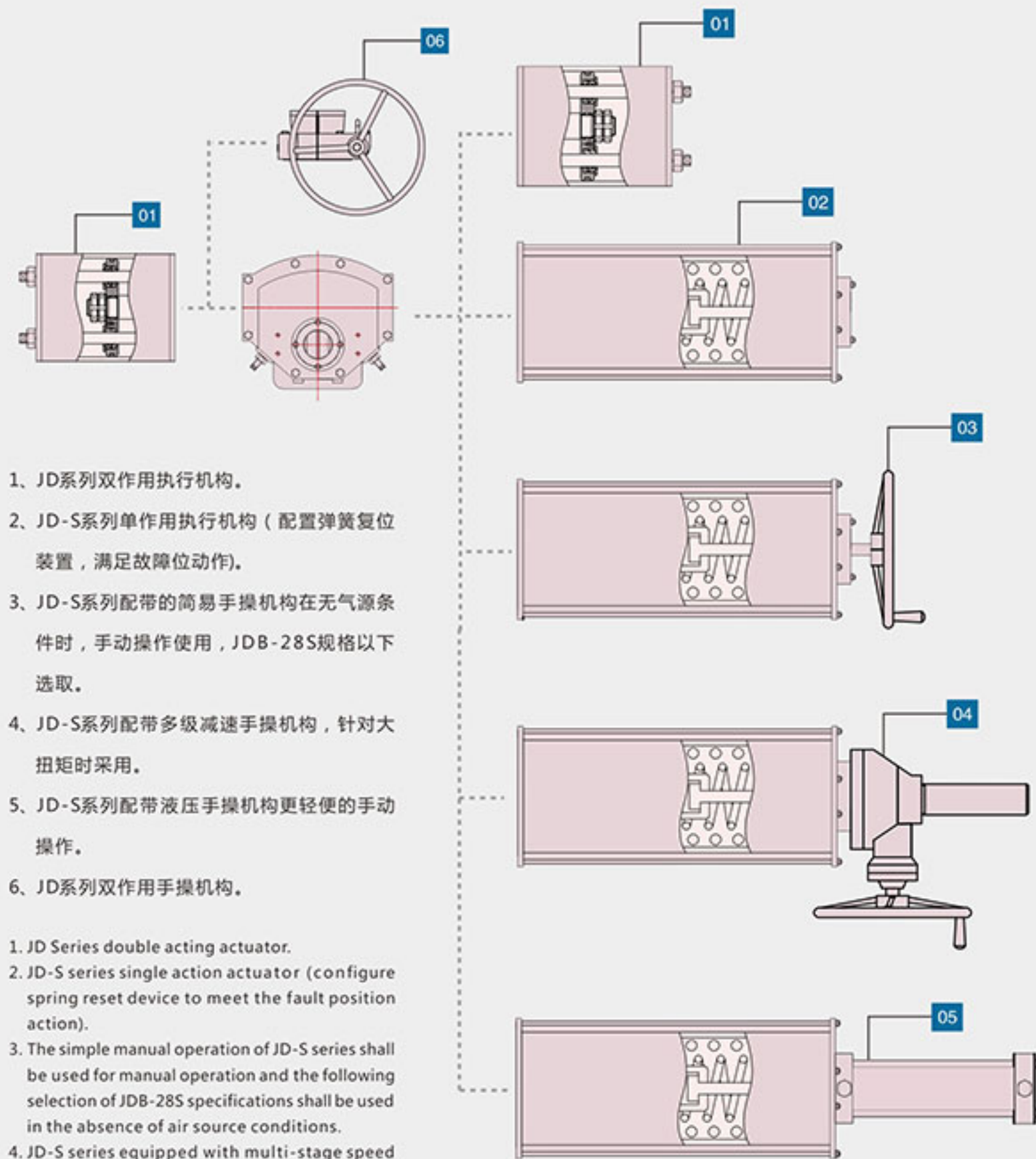
1. 同一规格的执行机构依据不同的推力要求可选取不同的弹簧复位推力。高稳定性的弹簧复位装置，保证弹簧复位推力不随使用时间的增长而降低。
2. 可对行程进行调整的限位装置，调整范围：80°-100°。
3. 采用两杆式活塞平衡导向，有效保证了活塞全行程运行的稳定性。
4. 快捷的拆卸结构，现场维护方便。
5. 选用满足低温、高温环境下密封组件，保证了在不同环境温度下的密封性能。
6. 采用能承受大推力转换的拨叉节结构，拨叉节以及转子均采用表面硬化处理。
7. 活塞缸内孔可选择特氟龙处理。



1. The same specification of the actuator according to different thrust requirements, can choose different spring reset thrust. The spring reset device with high stability ensures that the thrust of the spring reset does not decrease with the increase of the use time.
2. Can adjust the travel device, the adjustment range: 80°-100°.
3. The use of two rod piston balance guidance, effectively ensure the stability of the piston in full stroke operation.
4. Quick disassembly structure, convenient maintenance on site.
5. Choosing sealing components meeting the low temperature and high temperature environment, ensuring the sealing performance under different environmental temperature.
6. The fork joint structure that can bear large thrust conversion is adopted, and the surface of the fork and rotor is treated by surface hardening.
7. Piston cylinder hole can choose Teflon treatment.



JD 系列气动执行机构配置方案的选择  
JD Series Pneumatic Actuator Configuration Options



1. JD系列双作用执行机构。
2. JD-S系列单作用执行机构（配置弹簧复位装置，满足故障位动作）。
3. JD-S系列配带的简易手操机构在无气源条件下，手动操作使用，JDB-28S规格以下选取。
4. JD-S系列配带多级减速手操机构，针对大扭矩时采用。
5. JD-S系列配带液压手操机构更轻便的手动操作。
6. JD系列双作用手操机构。

1. JD Series double acting actuator.
2. JD-S series single action actuator (configure spring reset device to meet the fault position action).
3. The simple manual operation of JD-S series shall be used for manual operation and the following selection of JDB-28S specifications shall be used in the absence of air source conditions.
4. JD-S series equipped with multi-stage speed reducer mechanism for high torque.
5. JD-S series equipped with a more portable manual operation.
6. JD Series double action mechanism.

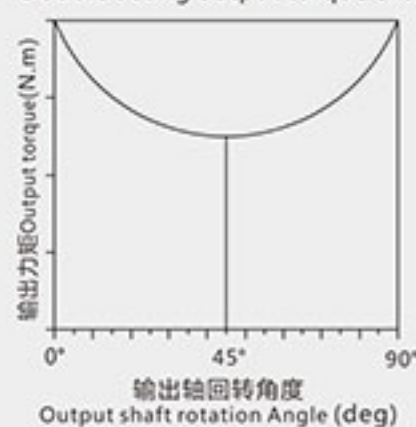
气动单作用执行机构扭矩表 (输出轴在0° 或90° 时的扭矩)  
Pneumatic Single Acting Actuator Torque Table (Output Shaft Torque At 0° Or 90° ) 单位Unit: N.m

型号规格 Model	弹簧扭矩 Spring torque		气源压力 Gas pressure ( MPa )					
			0.4		0.5		0.6	
	Min	Max	Min	Max	Min	Max	Min	Max
JDA 16S	542	1085	362	904	724	1266	1085	1627
JDA 20S	847	1695	565	1413	1131	1979	1696	2544
JDB 20S	1270	2541	847	2119	1696	2968	2543	3816
JDB 25S	1987	3947	1325	3312	2650	4637	3974	5961
JDB 28S	2492	4985	1661	4154	3323	5816	4985	7478
JDC 28S	4154	7385	1846	5077	4154	7385	6463	9694
JDC 35S	6490	11540	2885	7934	6491	11540	10097	15146
JDC 40S	8478	15072	3768	10362	8478	15072	13188	19782
JDC 45S	10729	19075	4769	13115	10730	19076	16691	25037

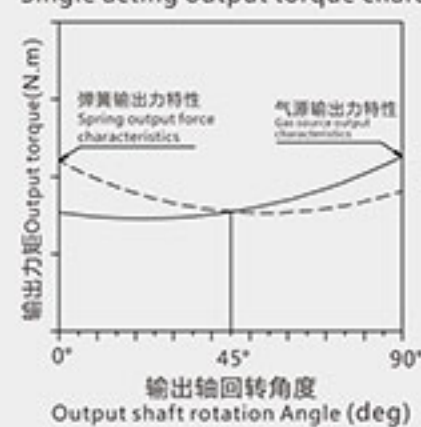
气动双作用执行机构扭矩表 (输出轴在0° 或90° 时的扭矩)  
Pneumatic Double Acting Actuator Torque Table (Output Shaft Torque At 0° Or 90° ) 单位Unit: N.m

型号规格 Model	气源压力 Gas pressure ( MPa )				
	0.3	0.4	0.5	0.6	0.7
JDA 16	1084	1447	1809	2170	2532
BRA 20	1695	2260	2826	3391	3957
JDB 20	2542	3390	4239	5086	5935
JDB 25	3974	5299	6624	7948	9273
JDB 28	4984	6646	8308	9970	11632
JDC 28	6924	9231	11539	13848	16155
JDC 35	10818	14424	18030	21636	25242
JDC 40	14130	18840	23550	28260	32970
JDC 45	17883	23844	29805	35766	41727

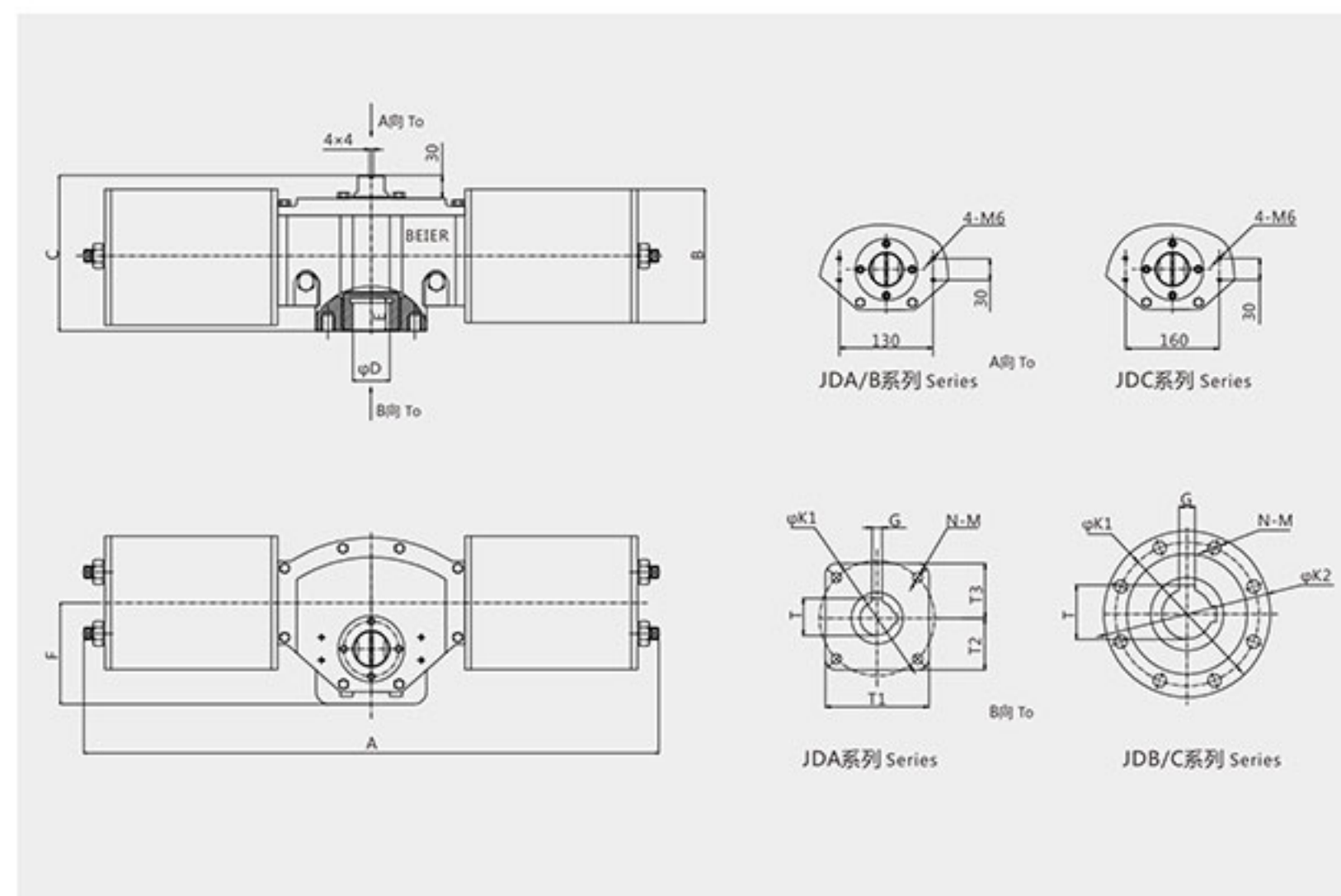
双作用出力矩特性(deg)  
Double acting output torque characteristics



单作用出力矩特性(deg)  
Single acting output torque characteristics



注：如需要更大扭矩的执行机构，请咨询久鼎自控的销售人员或工程师。  
Note: If you need more torque, please consult with the sales staff or engineer.

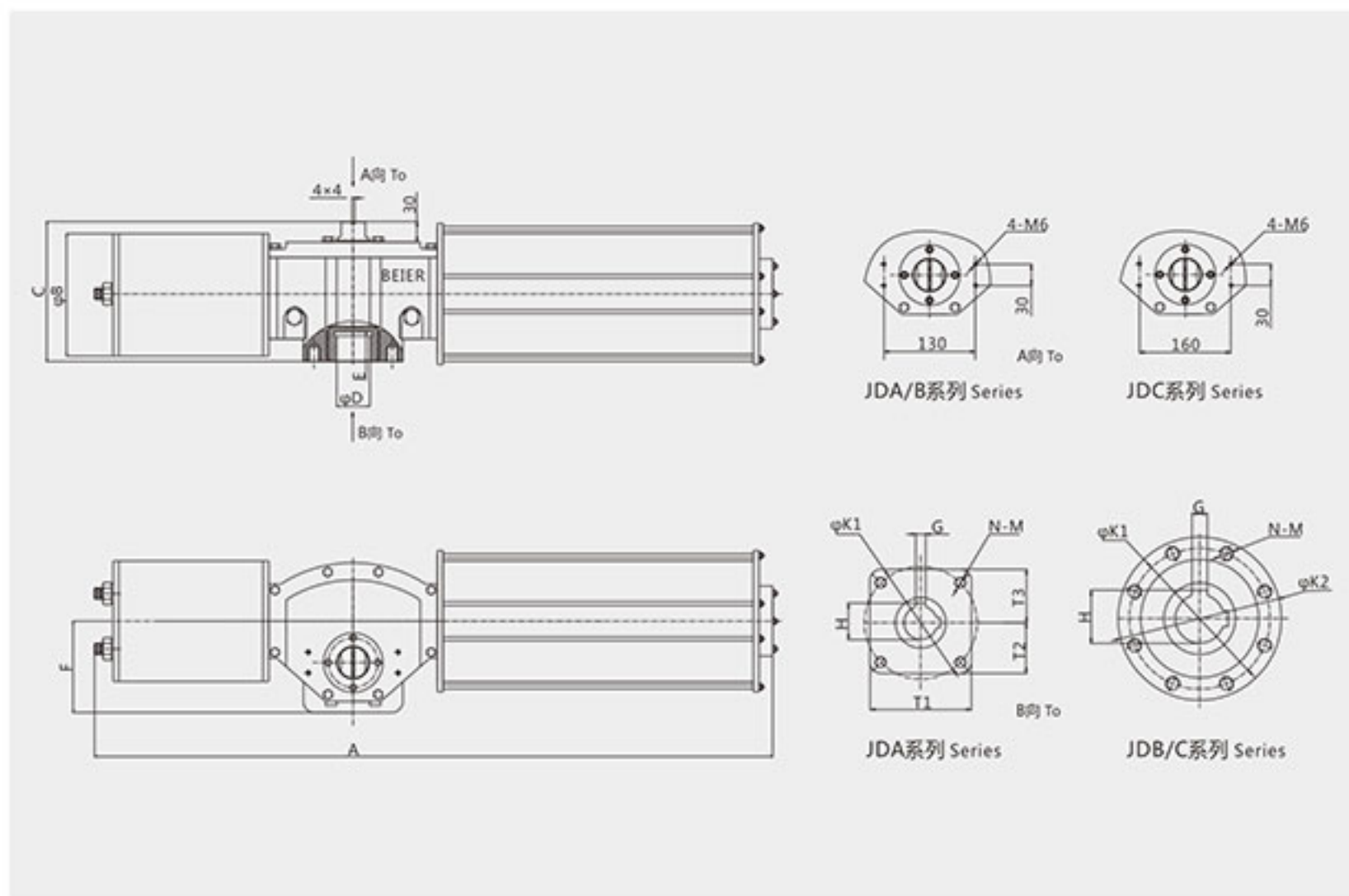


双作用执行机构外型尺寸及连接尺寸  
Double-acting Actuator Size And Connection Size

单位Unit: mm

型号 Model	A	B	C	D	E	F	G	H	K1	K2	T1	T2	T3	N-M	气源接口 Air interface
JDA 16	786	174	203	45	48	85	14	48.8	140	-	144	72	76	4-M16	G1/4
JDA 20	786	214	203	45	48	85	14	48.8	140	-	144	72	76	4-M16	G1/4
JDB 20	1058	214	218	70	60	105	18	64.4	200	232	-	-	-	8-M16	G3/8
JDB 25	1058	266	218	70	60	105	18	64.4	200	232	-	-	-	8-M16	G3/8
JDB 28	1058	296	218	70	60	105	22	75.4	200	232	-	-	-	8-M16	G3/8
JDC 28	1360	296	260	100	145	140	28	106.4	300	350	-	-	-	8-M24	G1/2
JDC 35	1360	370	260	100	145	140	28	106.4	300	350	-	-	-	8-M24	G1/2
JDC 40	1360	420	260	100	145	140	28	106.4	300	350	-	-	-	8-M24	G1/2
JDC 45	1360	470	260	100	145	140	28	106.4	300	350	-	-	-	8-M24	G1/2

注：如需要更大扭矩的执行机构或与配带手操机构的外型图，请咨询久鼎自控的销售人员或工程师。  
Note: If you need a more torque actuator or an external chart of the operator, please consult with the sales person or engineer of long tripod control.



**单作用执行机构外型尺寸及连接尺寸**  
 Single-acting Actuator Size And Connection Size

单位Unit: mm

型号 Model	A	B	C	D	E	F	G	H	K1	K2	T1	T2	T3	N-M	气源接口 Air interface
JDA 16S	1060	174	203	45	48	85	14	48.8	140	-	144	72	76	4-M16	G1/4
JDA 20S	1150	214	203	45	48	85	14	48.8	140	-	144	72	76	4-M16	G1/4
JDB 20S	1420	214	218	70	60	105	18	64.4	200	232	-	-	-	8-M16	G3/8
JDB 25S	1420	266	218	70	60	105	18	64.4	200	232	-	-	-	8-M16	G3/8
JDB 28S	1510	296	218	70	60	105	22	75.4	200	232	-	-	-	8-M16	G3/8
JDC 28S	1890	296	260	100	145	140	28	106.4	300	350	-	-	-	8-M24	G1/2
JDC 35S	1890	370	260	100	145	140	28	106.4	300	350	-	-	-	8-M24	G1/2
JDC 40S	1890	420	260	100	145	140	28	106.4	300	350	-	-	-	8-M24	G1/2
JDC 45S	1890	470	260	100	145	140	28	106.4	300	350	-	-	-	8-M24	G1/2

注：如需要更大扭矩的执行机构或与配带各类不同形式的手操机构的外型图，请咨询久鼎自控的销售人员或工程师。  
 Note: If you need a more torque actuator or an external chart with different types of manual operation, please consult with the sales staff or engineer.